

Title III of the Americans with Disabilities Act (ADA) prohibits discrimination on the basis of disability in “places of public accommodation” (businesses/non-profit agencies that serve the public) and “commercial facilities” (other businesses). This regulation includes Standards for Accessible Design, which establishes minimum standards for ensuring accessibility when designing, constructing or altering a facility. The following excerpts and diagrams from the ADA Title III Regulations outline standards for controls and operating mechanisms as well as water closets/toilet stalls. Please use these guidelines when installing a Bay West ADA compliant dispenser to ensure proper installation.

**DISPENSER CONTROLS AND OPERATING MECHANISMS**

Dispenser controls and operating mechanisms shall be operable with one hand and shall not require tight grasping, pinching, or twisting of the wrist. The force required to activate dispenser controls shall not be greater than 5 lbs. (Section 4.27.4, ADA Accessibility Guidelines)

The highest operable part of controls, dispensers, receptacles, and other operable equipment shall be placed within at least one of the reach ranges specified in the Forward Reach and Side Reach sections of ADA guidelines. (Section 4.27.3, ADA Accessibility Guidelines)

**Forward Reach for Wall Mounted Dispensers.** If the clear floor space only allows forward approach to an object such as facing a wall, surface or other element, the maximum reach height is 48 inches. The minimum low forward reach is 15 inches. The clear floor space should be 48 inches deep and 30 inches wide. (Section 4.2.5, ADA Accessibility Guidelines)

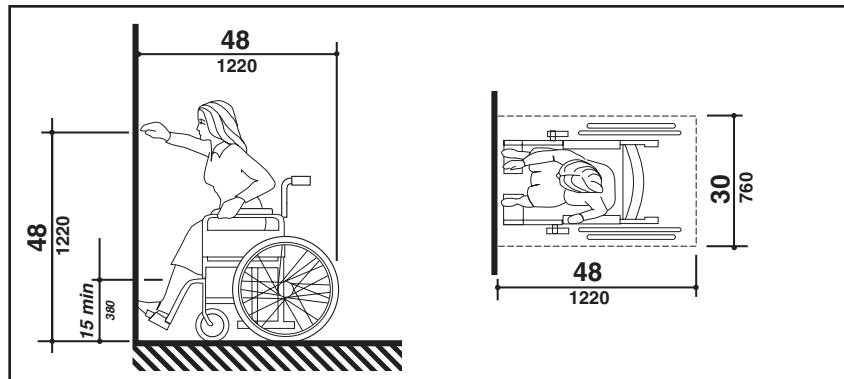


Figure 5(a), Section 4.2.5 - High Forward Reach Limit, ADA Accessibility Guidelines

**Forward Reach for Dispensers Mounted over a Counter.** If the high forward reach is over an obstruction, such as a countertop, the maximum depth of an obstruction with knee below is 25 inches. When the obstruction is less than 20 inches deep, the maximum high forward reach is 48 inches. When the depth of the obstruction is greater than 20 inches and less than 25 inches, the maximum high forward reach is 44 inches. A clear floor space 48 inches long and 30 inches wide should be provided. (Section 4.2.5, ADA Accessibility Guidelines)

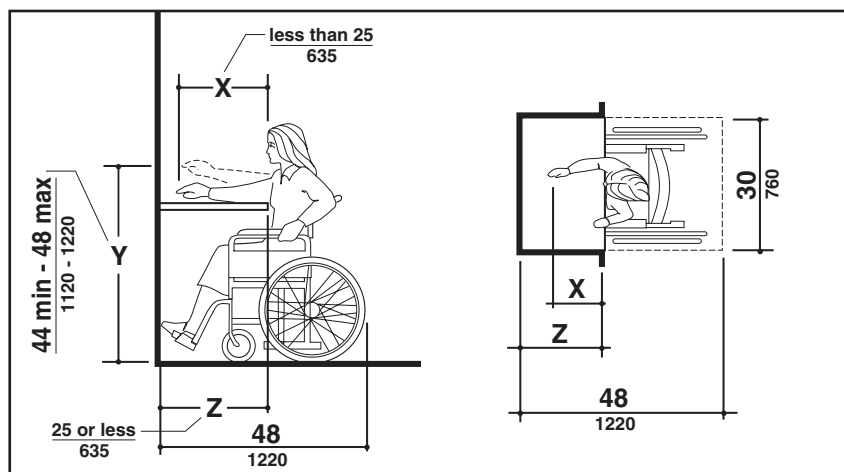


Figure 5(b), Section 4.2.5 - Maximum Forward Reach over an Obstruction, ADA Accessibility Guidelines

**Side Reach for Wall Mounted Dispensers and Dispensers Mounted over a Counter.** If the clear floor space allows parallel approach by a person in a wheelchair, the maximum high side reach allowed shall be 54 inches and the low side reach shall be no less than 9 inches above the floor. If the side reach is over an obstruction, such as a countertop, and if the depth of the obstruction is 24 inches and the maximum height of the obstruction is 34 inches, the maximum high side reach over the obstruction is 46 inches. (Section 4.2.6, ADA Accessibility Guidelines)

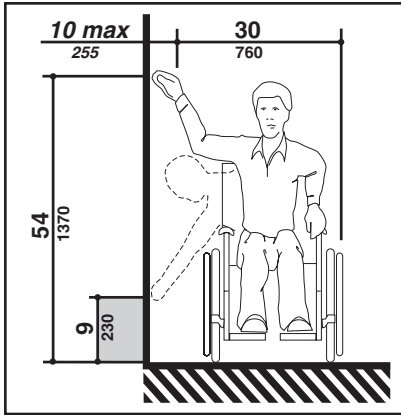


Figure 6(b), Section 4.2.6- High and Low Side Reach Limits, ADA Accessibility Guidelines

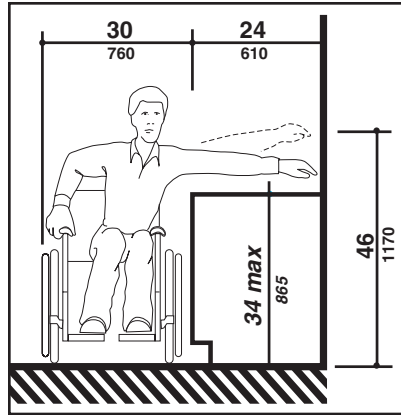


Figure 6(c), Section 4.2.6- Maximum Side Reach over Obstruction, ADA Accessibility Guidelines

**DISPENSER INSTALLATION IN WATER CLOSETS / TOILET STALLS**

Toilet paper dispensers shall be installed within reach. Dispensers that control delivery, or that do not permit continuous paper flow, shall not be used. (Section 4.16.6, ADA Accessibility Guidelines)

Toilet paper dispensers should be mounted below the grab bar and at least 19 inches above the floor and no farther than 36 inches from the rear wall, measured to the far side of the dispensers. (Section 4.17.6, ADA Accessibility Guidelines)

ADA guidelines specify that the spacing between the handrail/grab bar and the adjacent wall should be 1 1/2 inches (Section 4.26.2, ADA Accessibility Guidelines). In addition, we recommend that Bay West ADA compliant tissue dispensers be mounted at least 1 1/2 inches below the handrail/grab bar to ensure that users have enough space to grip the handrail/grab bar properly.

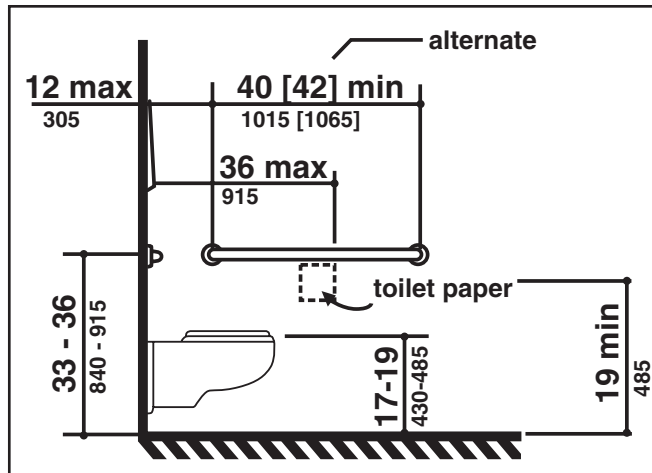


Figure 30(d), Section 4.17.6 - Side Walls, ADA Accessibility Guidelines

The preceding information contains only portions of the ADA Accessibility Guidelines. For a complete version of ADA Standards for Accessible Design as published in Appendix A of the Title III Regulations, contact the U.S. Department of Justice or visit the following web address, <http://www.usdoj.gov/crt/ada/reg3a.html>.